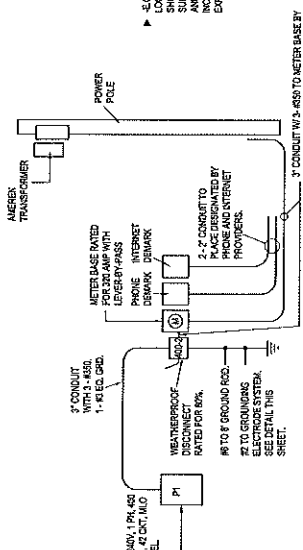
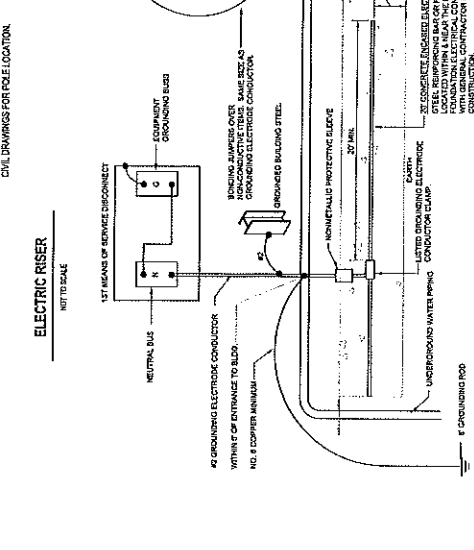


ELECTRICAL PANEL SCHEDULE			PANEL NO. P1		
NO.	DESCRIPTION	AMPERES	VOLTS	PHASES	TERMINALS
1	30 AMP. 208V. 3 PH.	30	208	3	30
2	15 AMP. 208V. 3 PH.	15	208	3	15
3	15 AMP. 208V. 3 PH.	15	208	3	15
4	15 AMP. 208V. 3 PH.	15	208	3	15
5	15 AMP. 208V. 3 PH.	15	208	3	15
6	15 AMP. 208V. 3 PH.	15	208	3	15
7	15 AMP. 208V. 3 PH.	15	208	3	15
8	15 AMP. 208V. 3 PH.	15	208	3	15
9	15 AMP. 208V. 3 PH.	15	208	3	15
10	15 AMP. 208V. 3 PH.	15	208	3	15
11	15 AMP. 208V. 3 PH.	15	208	3	15
12	15 AMP. 208V. 3 PH.	15	208	3	15
13	15 AMP. 208V. 3 PH.	15	208	3	15
14	15 AMP. 208V. 3 PH.	15	208	3	15
15	15 AMP. 208V. 3 PH.	15	208	3	15
16	15 AMP. 208V. 3 PH.	15	208	3	15
17	15 AMP. 208V. 3 PH.	15	208	3	15
18	15 AMP. 208V. 3 PH.	15	208	3	15
19	15 AMP. 208V. 3 PH.	15	208	3	15
20	15 AMP. 208V. 3 PH.	15	208	3	15
21	15 AMP. 208V. 3 PH.	15	208	3	15
22	15 AMP. 208V. 3 PH.	15	208	3	15
23	15 AMP. 208V. 3 PH.	15	208	3	15
24	15 AMP. 208V. 3 PH.	15	208	3	15
25	15 AMP. 208V. 3 PH.	15	208	3	15
26	15 AMP. 208V. 3 PH.	15	208	3	15
27	15 AMP. 208V. 3 PH.	15	208	3	15
28	15 AMP. 208V. 3 PH.	15	208	3	15
29	15 AMP. 208V. 3 PH.	15	208	3	15
30	15 AMP. 208V. 3 PH.	15	208	3	15
31	15 AMP. 208V. 3 PH.	15	208	3	15
32	15 AMP. 208V. 3 PH.	15	208	3	15
33	15 AMP. 208V. 3 PH.	15	208	3	15
34	15 AMP. 208V. 3 PH.	15	208	3	15
35	15 AMP. 208V. 3 PH.	15	208	3	15
36	15 AMP. 208V. 3 PH.	15	208	3	15
37	15 AMP. 208V. 3 PH.	15	208	3	15
38	15 AMP. 208V. 3 PH.	15	208	3	15
39	15 AMP. 208V. 3 PH.	15	208	3	15
40	15 AMP. 208V. 3 PH.	15	208	3	15
41	15 AMP. 208V. 3 PH.	15	208	3	15
42	15 AMP. 208V. 3 PH.	15	208	3	15
43	15 AMP. 208V. 3 PH.	15	208	3	15
44	15 AMP. 208V. 3 PH.	15	208	3	15
45	15 AMP. 208V. 3 PH.	15	208	3	15
46	15 AMP. 208V. 3 PH.	15	208	3	15
47	15 AMP. 208V. 3 PH.	15	208	3	15
48	15 AMP. 208V. 3 PH.	15	208	3	15
49	15 AMP. 208V. 3 PH.	15	208	3	15
50	15 AMP. 208V. 3 PH.	15	208	3	15
51	15 AMP. 208V. 3 PH.	15	208	3	15
52	15 AMP. 208V. 3 PH.	15	208	3	15
53	15 AMP. 208V. 3 PH.	15	208	3	15
54	15 AMP. 208V. 3 PH.	15	208	3	15
55	15 AMP. 208V. 3 PH.	15	208	3	15
56	15 AMP. 208V. 3 PH.	15	208	3	15
57	15 AMP. 208V. 3 PH.	15	208	3	15
58	15 AMP. 208V. 3 PH.	15	208	3	15
59	15 AMP. 208V. 3 PH.	15	208	3	15
60	15 AMP. 208V. 3 PH.	15	208	3	15
61	15 AMP. 208V. 3 PH.	15	208	3	15
62	15 AMP. 208V. 3 PH.	15	208	3	15
63	15 AMP. 208V. 3 PH.	15	208	3	15
64	15 AMP. 208V. 3 PH.	15	208	3	15
65	15 AMP. 208V. 3 PH.	15	208	3	15
66	15 AMP. 208V. 3 PH.	15	208	3	15
67	15 AMP. 208V. 3 PH.	15	208	3	15
68	15 AMP. 208V. 3 PH.	15	208	3	15
69	15 AMP. 208V. 3 PH.	15	208	3	15
70	15 AMP. 208V. 3 PH.	15	208	3	15
71	15 AMP. 208V. 3 PH.	15	208	3	15
72	15 AMP. 208V. 3 PH.	15	208	3	15
73	15 AMP. 208V. 3 PH.	15	208	3	15
74	15 AMP. 208V. 3 PH.	15	208	3	15
75	15 AMP. 208V. 3 PH.	15	208	3	15
76	15 AMP. 208V. 3 PH.	15	208	3	15
77	15 AMP. 208V. 3 PH.	15	208	3	15
78	15 AMP. 208V. 3 PH.	15	208	3	15
79	15 AMP. 208V. 3 PH.	15	208	3	15
80	15 AMP. 208V. 3 PH.	15	208	3	15

NOTE: ELECTRICAL CONTRACTOR SHALL OBTAIN ALL NECESSARY PERMITS PRIOR TO ANY ELECTRICAL WORK. THE CONTRACTOR SHALL BE RESPONSIBLE FOR OBTAINING ALL NECESSARY PERMITS AND FOR THE PROTECTION OF ALL EXISTING UTILITIES AND STRUCTURES.



NOTE: CONTACT LATCH MECHANISM WITH AMBERG AT POWER SOURCE FOR CONNECTION DETAILS.



GROUNDING ELECTRODE SYSTEM DETAIL
NOT TO SCALE

KEYED NOTES:

1. SWITCH #1 & 2 POWER FOLLOWED VALUES PROVIDED IN NUMBER AT RAY LIGHT PANEL, INSTALL PERMANENTLY IN RAY LIGHT PANEL.
2. CHECK CLEARANCES FOR PHONE AND INTERNET PROVIDER. PROVIDE 2" CONDUIT STUBBED UP FROM RAY LIGHT PANEL TO PROVIDE CLEARANCE FOR PHONE AND INTERNET PROVIDER.
3. PROVIDE 2" CONDUIT STUBBED UP FROM RAY LIGHT PANEL TO PROVIDE CLEARANCE FOR PHONE AND INTERNET PROVIDER.
4. PROVIDE 2" CONDUIT STUBBED UP FROM RAY LIGHT PANEL TO PROVIDE CLEARANCE FOR PHONE AND INTERNET PROVIDER.
5. PROVIDE 2" CONDUIT STUBBED UP FROM RAY LIGHT PANEL TO PROVIDE CLEARANCE FOR PHONE AND INTERNET PROVIDER.
6. PROVIDE 2" CONDUIT STUBBED UP FROM RAY LIGHT PANEL TO PROVIDE CLEARANCE FOR PHONE AND INTERNET PROVIDER.
7. PROVIDE 2" CONDUIT STUBBED UP FROM RAY LIGHT PANEL TO PROVIDE CLEARANCE FOR PHONE AND INTERNET PROVIDER.
8. PROVIDE 2" CONDUIT STUBBED UP FROM RAY LIGHT PANEL TO PROVIDE CLEARANCE FOR PHONE AND INTERNET PROVIDER.
9. PROVIDE 2" CONDUIT STUBBED UP FROM RAY LIGHT PANEL TO PROVIDE CLEARANCE FOR PHONE AND INTERNET PROVIDER.
10. PROVIDE 2" CONDUIT STUBBED UP FROM RAY LIGHT PANEL TO PROVIDE CLEARANCE FOR PHONE AND INTERNET PROVIDER.
11. PROVIDE 2" CONDUIT STUBBED UP FROM RAY LIGHT PANEL TO PROVIDE CLEARANCE FOR PHONE AND INTERNET PROVIDER.
12. PROVIDE 2" CONDUIT STUBBED UP FROM RAY LIGHT PANEL TO PROVIDE CLEARANCE FOR PHONE AND INTERNET PROVIDER.
13. PROVIDE 2" CONDUIT STUBBED UP FROM RAY LIGHT PANEL TO PROVIDE CLEARANCE FOR PHONE AND INTERNET PROVIDER.
14. PROVIDE 2" CONDUIT STUBBED UP FROM RAY LIGHT PANEL TO PROVIDE CLEARANCE FOR PHONE AND INTERNET PROVIDER.
15. PROVIDE 2" CONDUIT STUBBED UP FROM RAY LIGHT PANEL TO PROVIDE CLEARANCE FOR PHONE AND INTERNET PROVIDER.
16. PROVIDE 2" CONDUIT STUBBED UP FROM RAY LIGHT PANEL TO PROVIDE CLEARANCE FOR PHONE AND INTERNET PROVIDER.
17. PROVIDE 2" CONDUIT STUBBED UP FROM RAY LIGHT PANEL TO PROVIDE CLEARANCE FOR PHONE AND INTERNET PROVIDER.

▶ E/C TO INSTALL 1" CONDUIT FROM ACCESSIBLE POINT TO RAY LIGHT PANEL. PROVIDE BULKHEAD COVER, OVERHEAD AND TERMINATIONS. TERMINAL DATA PHONE JACKS TO EXPANSIBILITY TO ADD UP TO TOTAL OF SLACKS.

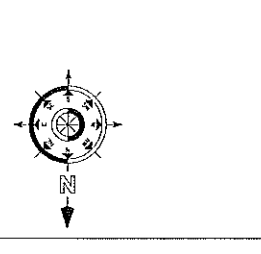
DISCLAIMER: THIS IS THE PROPERTY OF TIMBERLAKE ENGINEERING, P.C. AND SHALL NOT BE REPRODUCED OR TRANSMITTED IN ANY FORM OR BY ANY MEANS, ELECTRONIC OR MECHANICAL, INCLUDING PHOTOCOPYING, RECORDING, OR BY ANY INFORMATION STORAGE AND RETRIEVAL SYSTEM, WITHOUT THE WRITTEN PERMISSION OF TIMBERLAKE ENGINEERING.

DO NOT SCALE THIS DRAWING.

DATE: _____

REVISIONS: _____

THE PROFESSIONAL ENGINEER'S SEAL ON THIS DRAWING HAS BEEN AFFIXED IN ACCORDANCE WITH THE REQUIREMENTS OF THE BOARD OF PROFESSIONAL ENGINEERS AND SURVEYORS OF THE STATE OF NORTH CAROLINA. THE BOARD HAS REVIEWED THIS DRAWING AND HAS DETERMINED THAT IT MEETS THE REQUIREMENTS OF THE BOARD. ANY AND ALL REPRESENTATION FOR OTHER PROJECTS AND/OR PROJECTS ARE SUBJECT TO THE BOARD'S REVIEW AND APPROVAL.



TIMBERLAKE ENGINEERING, P.C.
3405 E. HICKORY ST.
COLUMBUS, NC 28701
(704) 251-8800
FAX: (704) 251-8801
www.timberlakeeng.com

POWER PLAN

DATE:	3/25/17	SHEET NO.:	145/201
DRAWN BY:	AJT		
PROJECT:	11141		
SCALE:	1/8" = 1'-0"		

E1